

ModICE® ME-RF Enclosure with Integrated SMA

The ModICE® RF Advantage

- Off the shelf enclosure solution for rugged electronics
- Integrated SMA connectors
- RF device “Quick Connect”
- Eliminate the need for complex machining and manual installation of SMA's and RF jumper cables
- Simple module assembly with snap-in Header/PCB

Technology

ModICE® is a line of connector enclosures that offers sealed packaging solutions for rugged electronic control modules.

ModICE® ME-RF offers a unique enclosure cover (header) with integrated SMA connectors for quick connect of antenna and other RF devices.

Product Offering

- Main connector - 18 or 30 I/O (with or without ferrite)
- RF - 1 or 2 SMA
- Standard or Reverse Polarity SMA
- SMA soldered to PC board

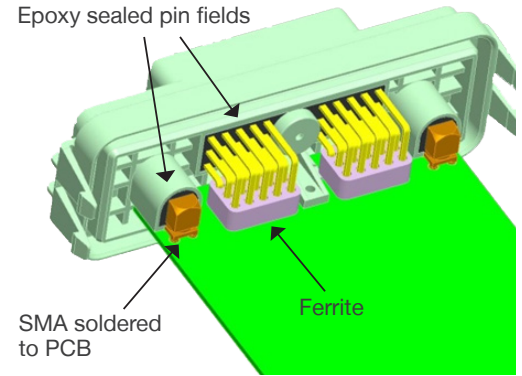
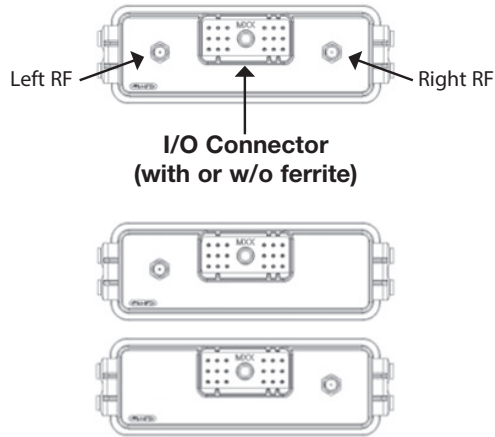


Cinch Connectivity Solutions
1700 Finley Road
Lombard, IL 60148 USA

+1 630.705.6000
inquiry@cinch.com
cinch.com

Parts and Configurations

**Header Arrangement
(Face View – 18 I/O shown)**



Header	I/O	Ferrite	Left RF	Right RF
5810618001	18	No	RP-SMA	SMA
5810618002	18	Yes	RP-SMA	SMA
5810618003	18	No	n/a	SMA
5810618004	18	Yes	n/a	SMA
5810618005	18	No	RP-SMA	n/a
5810618006	18	Yes	RP-SMA	n/a
5810618007	18	No	RP-SMA	RP-SMA
5810618008	18	Yes	RP-SMA	RP-SMA
5810618009	18	No	SMA	SMA
5810618010	18	Yes	SMA	SMA
5810630001	30	No	RP-SMA	SMA
5810630002	30	Yes	RP-SMA	SMA
5810630003	30	No	n/a	SMA
5810630004	30	Yes	n/a	SMA
5810630005	30	No	RP-SMA	n/a
5810630006	30	Yes	RP-SMA	n/a
5810630007	30	No	RP-SMA	RP-SMA
5810630008	30	Yes	RP-SMA	RP-SMA
5810630009	30	No	SMA	SMA
5810630010	30	Yes	SMA	SMA

Enclosure

5810130065	Standard enclosure
5810130075	Enclosure with breather

Application Tooling

5991111652	Closing Tool
5991111440	Opening Tool

Performance Characteristics

Operating temperature	-40°C to +85°C
Sealing	IP67, IP69K
Current carrying capacity (I/O connector)	10 Amps
SMA	50 Ohm